

1300 SERIES EM1300 SERIES

RECESSED BACKLIT AC OR AC/EMERGENCY EXIT

Designed for spaces where nothing may protrude from the wall; our new, internally hinged panel frame allows for easy, tool-less maintenance without the need for a large, unsightly trim plate.



SPECIFICATIONS

CONSTRUCTION: 20 gauge die-formed steel housing. Extruded aluminum door frame opens on hinges for easy access to internal components.

MOUNTING: Recessed wall mount—furnished with top, bottom, and side knockouts.

FINISH: White powder coat finish is standard; other finishes are available as options (please specify).

PANEL: Glass (Chicago Code) or thermoplastic panels have red letters on white background. Stencil face panels have removable chevrons, and red or green letters depending on local code requirements. Letters are 6" high with 3/4" stroke.

ELECTRICAL: COLD CATHODE--The T-5 Cold Cathode Lamp Module is a fully self-contained light source with a 3mm cold cathode lamp encased in 2 standard T-5 bi-pin tubes. The module contains an electronic ballast/inverter with solid state battery charging circuitry (when used in AC/Emergency Mode). The cold cathode lamps will illuminate for 50,000 hours, and consume less than 8 watts of power under normal operation.

Incandescent—furnished with two (2) 20T6.5 double contact bayonet base lamps. Power consumption – 40 watts; average lamp life – 2,000 hours.

Fluorescent—wired with 7/9 Watt ballasts and furnished with two (2) compact fluorescent lamps. Power consumption – 21.6 watts; average lamp life –10,000 hours.

LED—Energy efficient – draws a maximum 4 watts (8 watts in emergency mode) and produces bright, even illumination across the panel face. Red LEDs have 100,000 rated life.

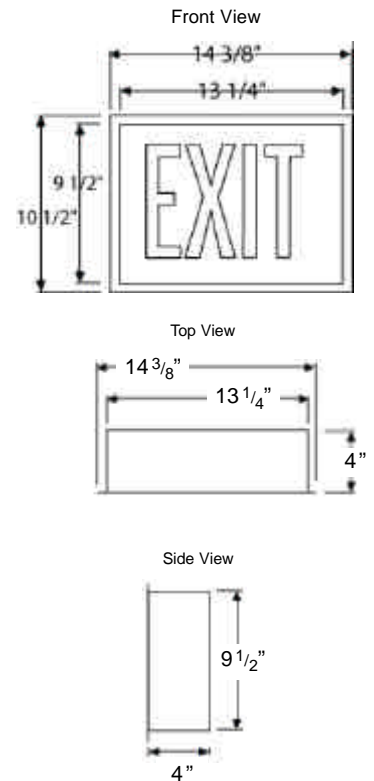
EMERGENCY OPERATION: Emergency system illuminates lamps when normal (AC) power fails. System comes complete with 6V, maintenance free Lead Acid battery (Nickel Metal Hydride battery standard with Cold Cathode signs; Nickel Cadmium battery standard with LED systems) for (2) hour operation. Solid State charger features automatic brownout protection and low voltage disconnect, which prevents over-discharge of battery. A momentary test switch and charge indicating light are standard.

Fluorescent & Incandescent signs include two 3.6 Watt, 6V DC wedge base lamps which illuminate when AC power fails.

LABELS: UL, ETL, or ENTELA Listed. City of Chicago Approved (glass only).

WARRANTY: See warranty page.

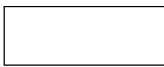
DIMENSIONS



1300 Series

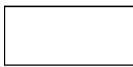
ORDERING INFORMATION

EXAMPLE: EM1300-3-2FL120-WH-TP



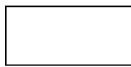
Series

- 1300 AC Only
- CC-1300 Cold Cathode AC Only
- EM1300 AC/Emergency
- CC-EM1300 Cold Cathode AC/Emergency



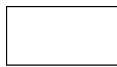
Panels

- STF-1- Stencil Single Face
- XX-(Glass) See Legend for Panel Codes



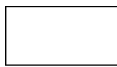
Lamping

- 2FL- Fluorescent
- LED/R Red LED
- LED/G Green LED
- INC Incandescent



Voltage

- 120
- 277



Finish

- WH- White*
- CC- Custom Color
- *=Standard



Options

- WG-Wire Guard
- TP-Tamper Proof Screws
- LLI-Long Life Incandescent
- CP-Chicago Plenum
- G/W-Green Letters on White
- EXC-(Dual) Emergency Circuit
- PH-Phosphorescent
- Panels**
- NCB-Nickel Cadmium Battery
- IRT-Infrared Remote Test Switch
- FLS-Flasher
- BZ-Buzzer
- FAI-Fire Alarm Interface

PANEL CODE LEGEND

- | SINGLE FACE | DOUBLE FACE |
|---------------------------------------|---------------------------------------|
| <input type="checkbox"/> 2 - Stairs | <input type="checkbox"/> 17 - Stairs |
| <input type="checkbox"/> 3 - Exit | <input type="checkbox"/> 18 - Exit |
| <input type="checkbox"/> 5 - Stairs↔ | <input type="checkbox"/> 20 - Stairs↔ |
| <input type="checkbox"/> 6 - Exit↔ | <input type="checkbox"/> 21 - Exit↔ |
| <input type="checkbox"/> 8 - Stairs← | <input type="checkbox"/> 23 - Stairs↔ |
| <input type="checkbox"/> 9 - Exit← | <input type="checkbox"/> 24 - Exit↔ |
| <input type="checkbox"/> 11 - Stairs↔ | |
| <input type="checkbox"/> 12 - Exit↔ | |

- PP-Polycarbonate Panels
- AP-Acrylic Panels
- HO-Housing Only
- MOD-Special Panel Wording or Panel Color

NOTE: Specifications and dimensions subject to change without notice

