

APEM2800 SERIES

EXIT/ EMERGENCY LIGHT



Especially for exit areas in places of public assembly. In the event of a power failure, unit automatically and instantaneously illuminates lamp heads for a minimum of 90 minutes. When normal power is restored, the DC lamps disconnect, while the exit sign remains illuminated.

SPECIFICATIONS

CONSTRUCTION: Housing constructed of extruded aluminum; panel swings open for easy access to internal components. Back box is constructed of die-formed, heavy gauge steel. Universal mounting ceiling, end, or back mount; canopy supplied.

FINISH: Housing is brushed aluminum, standard. White available at no extra charge. Back box is matte black, standard. Consult factory for other finishes.

PANEL: Stencil face panel with red background, standard. Universal chevrons. Letters are 6" high with 3/4" stroke.

ELECTRICAL: COLD CATHODE--The T-5 Cold Cathode Lamp Module is a fully self-contained light source with a 3mm cold cathode lamp encased in 2 standard T-5 bi-pin tubes. The module contains an electronic ballast/inverter with solid state battery charging circuitry (when used in AC/Emergency Mode). The cold cathode lamps will illuminate for 50,000 hours, and consume less than 8 watts of power under normal operation.

LED—High-brightness LED's provide crisp, even light across the letters without shadows or hot spots. Energy efficient and maintenance free LED's have a rated 100,000 hour life. Power consumption—less than 5.5 watts in AC mode.

DUAL 120/277 Volt Input.

LAMP HEADS: Choice of 2 or 3 contemporary styled, adjustable PAR 36 heads are furnished with high-intensity, 6 or 12 volt incandescent lamps, 9 Watt heads standard (specify other wattages, where desired).

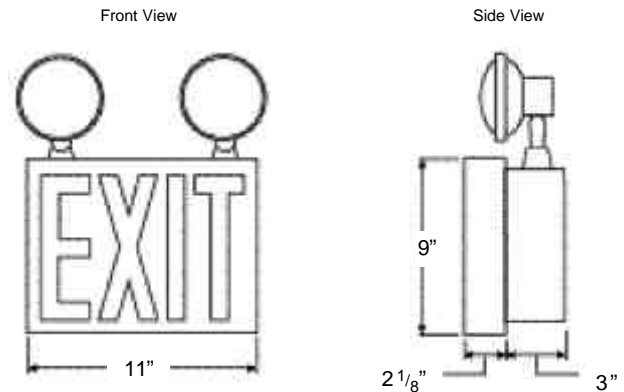
EMERGENCY BACKUP: System comes complete with 6 volt sealed Lead Acid battery, charging circuitry, momentary test switch and charge indicating light; minimum 90 minute operation. Solid state charger features automatic brown-out protection, line-latching to insure against battery discharge before installation, and low voltage disconnect.

LABELS: U.L. or E.T.L. Listed.

WARRANTY: See warranty page.

ORDERING INFORMATION

DIMENSIONS



BATTERY CAPACITY				
Model	DC Voltage	1.5 Hrs.	2 Hrs.	Lamp Wattage
APEM2800-2	6	27	20	9
APEM2800-2-12W	6	36	24	12
APEM2800-3-12W	6	54	40	12
APEM2800-12-2	12	36	27	9
APEM2800-12-2-12W	12	50	37	12
APEM2800-12-3	12	50	37	9

APEM-2800 Series

Example: APEM2800-2-6-27-120-OW-SDT

APEM2800						
----------	--	--	--	--	--	--

Series

APEM2800-
Single Face

CC-
APEM2800-
Cold Cathode

of Heads

2
 3

DC Voltage (output)

6
 12

Wattage

27
 36
 50
 54

Input Voltage

120
 277

Finish

BA-Brushed
Aluminum*
 WH- White
 BK-Black
 CC-
Custom
Color of
Finish

* =Standard

Options

- 12W-12 Watt Lamp Heads
- PK-Pendant Kit Stem and Canopy (Specify Stem Length)
- WG-Wire Guard
- TP-Tamper Proof Screws
- FAI-Fire Alarm Interface
- FLS-Flasher
- SDT-Self-diagnostic Test Module
- IRT-Infrared Remote Test Switch
- BZ-Buzzer
- SB-Sealed Beam PAR 36 Lamps
- MOD-Special Panel Wording or Color

NOTE: Specifications and dimensions subject to change without notice

