

ELRE/ELSE SERIES

EMELRE/EMELSE SERIES

RECESSED OR SURFACE MOUNT FLUORESCENT ELONGATED EDGELIT EXIT

For use where "Fire Escape" or signage with longer wording is required.



SPECIFICATIONS

CONSTRUCTION: Recessed--Housing is constructed of 20 gauge steel. Conduit knockouts are supplied on top and ends of housing. Face plate is brushed aluminum, standard, but can be furnished in plated or painted finishes. Furnished with adjustable mounting brackets for use with conduit or bar hangers (by others).

Surface—Housing and face plate are manufactured from heavy gauge die-formed aluminum, brushed finish standard. Custom colors and finishes are available (please specify). Supplied with a canopy for ceiling, end wall or back mount. Pendant kit optional (specify length).

PANEL: Cast acrylic panels are engraved and silk screened with 6" letters and arrows or chevrons to meet local code requirements. Red letters on white background is standard. Other color combinations are available as required.

ELECTRICAL: COLD CATHODE--The T-5 Cold Cathode Lamp Module is a fully self-contained light source with two (2) 3mm cold cathode lamps encased in two standard T-5 bi-pin tubes. The module contains an electronic ballast/inverter with solid state battery charging circuitry (when used in AC/Emergency Mode). The cold cathode lamps will illuminate for 50,000 hours, and consume 9 watts of power under normal operation.

Fluorescent—wired with 7/9 Watt ballasts and furnished with two (2) compact fluorescent lamps. Power consumption – 21.6 watts; average lamp life –10,000 hours.

LED—Energy efficient – draws a maximum 4 watts (8 watts in emergency mode) and produces bright, even illumination across the panel face. Red LEDs have 100,000 rated life.

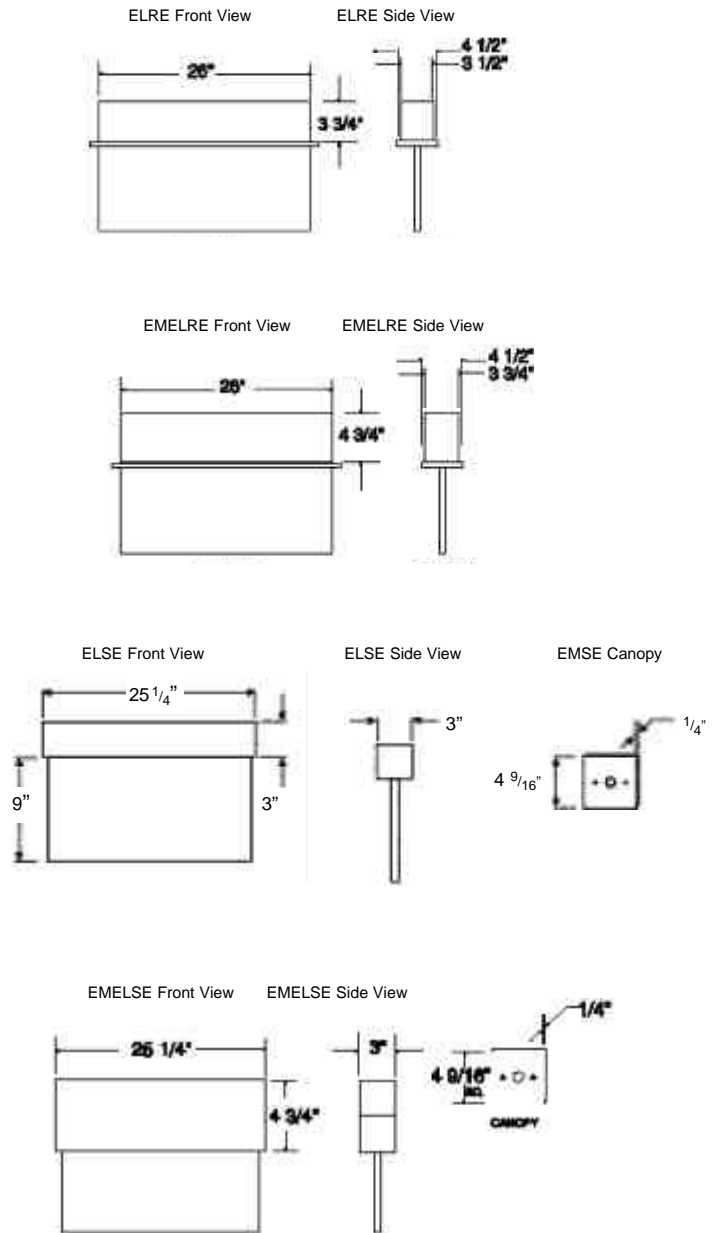
EMERGENCY OPERATION: Emergency system illuminates lamps when normal (AC) power fails. System comes complete with 6V, maintenance free Lead Acid battery (Nickel Metal Hydride battery standard with Cold Cathode signs; Nickel Cadmium battery standard with LED systems) for (2) hour operation. Solid State charger features automatic brownout protection and low voltage disconnect, which prevents over-discharge of battery. A momentary test switch and charge indicating light are standard.

Fluorescent signs are furnished with three 3.6 Watt, 6V DC wedge base lamps which illuminate when AC power fails.

LABELS: LABELS: U.L., E.T.L., or ENTELA Listed. City of Chicago Approved.

WARRANTY: See warranty page.

DIMENSIONS



NOTE: Specifications and dimensions subject to change without notice



ELRE/ELSE SERIES

ELRE/EMELRE, ELSE/EMELSE

ORDERING INFORMATION

EXAMPLE: ELRE-10-2FL120-WH

<input checked="" type="checkbox"/> Series	<input checked="" type="checkbox"/> Panel Codes	<input checked="" type="checkbox"/> Lamping	<input checked="" type="checkbox"/> Voltage	<input checked="" type="checkbox"/> Finish	<input checked="" type="checkbox"/> Options
<p>ELONGATED RECESSED EDGELIT</p> <p>AC Only <input type="checkbox"/> ELRE <input type="checkbox"/> CC-ELRB - Cold Cathode</p> <p>AC/Emergency <input type="checkbox"/> EMELRE <input type="checkbox"/> CC-EMELRB - Cold Cathode</p>	<p>Single Face</p> <p><input type="checkbox"/> 1 - Fire Escape <input type="checkbox"/> 4- Fire Escape▶</p> <p><input type="checkbox"/> 7- Fire Escape◀</p> <p><input type="checkbox"/> 10 - Fire Escape↔</p> <p><input type="checkbox"/> 13 - Stairs/Exit <input type="checkbox"/> 13 A- Stairs/Exit▶ <input type="checkbox"/> 13 B- Stairs/Exit◀</p> <p>Double Face</p> <p><input type="checkbox"/> 16 - Fire Escape <input type="checkbox"/> 19 - Fire Escape▶ <input type="checkbox"/> 22 - Fire Escape↔</p> <p><input type="checkbox"/> 26 - Stairs/Exit <input type="checkbox"/> 26 B- Stairs/Exit▶</p>	<p><input type="checkbox"/> 2FL- Fluorescent</p>	<p><input type="checkbox"/> 120 <input type="checkbox"/> 277</p>	<p><input type="checkbox"/> BA-Brushed Aluminum* <input type="checkbox"/> WH-White <input type="checkbox"/> CC-Custom Color *Standard</p>	<p><input type="checkbox"/> HFP-Hinged Face Plate <input type="checkbox"/> TP-Tamper Proof screws <input type="checkbox"/> NCB-Nickel Cadmium Battery <input type="checkbox"/> FAI-Fire Alarm Interface <input type="checkbox"/> FLS-Flasher <input type="checkbox"/> BZ-Buzzer <input type="checkbox"/> PK-Pendant Kit <input type="checkbox"/> EXC-(Dual) Emergency Circuit <input type="checkbox"/> MOD-Special Panel Wording or Color <input type="checkbox"/> CP-Chicago Plenum</p>

EXAMPLE: ELSE-13-2FL120-BA

<input checked="" type="checkbox"/> Series	<input checked="" type="checkbox"/> Panel Codes	<input checked="" type="checkbox"/> Lamping	<input checked="" type="checkbox"/> Voltage	<input checked="" type="checkbox"/> Finish	<input checked="" type="checkbox"/> Options
<p>ELONGATED SURFACE EDGELIT</p> <p>AC Only <input type="checkbox"/> ELSE <input type="checkbox"/> CC-ELSB - Cold Cathode</p> <p>AC/Emergency <input type="checkbox"/> EMELSE <input type="checkbox"/> CC-EMELSB - Cold Cathode</p>	<p>Single Face</p> <p><input type="checkbox"/> 1 - Fire Escape <input type="checkbox"/> 4- Fire Escape▶ <input type="checkbox"/> 7- Fire Escape◀</p> <p><input type="checkbox"/> 10 - Fire Escape↔</p> <p><input type="checkbox"/> 13 - Stairs/Exit <input type="checkbox"/> 13 A- Stairs/Exit▶ <input type="checkbox"/> 13 B- Stairs/Exit◀</p> <p>Double Face</p> <p><input type="checkbox"/> 16 - Fire Escape <input type="checkbox"/> 19 - Fire Escape▶ <input type="checkbox"/> 22 - Fire Escape↔ <input type="checkbox"/> 26 - Stairs/Exit <input type="checkbox"/> 26 B- Stairs/Exit▶</p>	<p><input type="checkbox"/> 2FL- Fluorescent</p>	<p><input type="checkbox"/> 120 <input type="checkbox"/> 277</p>	<p><input type="checkbox"/> BA-Brushed Aluminum* <input type="checkbox"/> WH-White <input type="checkbox"/> CC-Custom Color *Standard</p>	<p><input type="checkbox"/> EMT-End Mount <input type="checkbox"/> BMT-Back Mount <input type="checkbox"/> PK-Pendant Kit (specify stem length) <input type="checkbox"/> HFP-Hinged Face Plate <input type="checkbox"/> TP-Tamper Proof screws <input type="checkbox"/> FAI-Fire Alarm Interface <input type="checkbox"/> BZ-Buzzer <input type="checkbox"/> FLS-Flasher <input type="checkbox"/> EXC-(Dual) Emergency Circuit <input type="checkbox"/> MOD-Special Panel Wording or Color</p>

