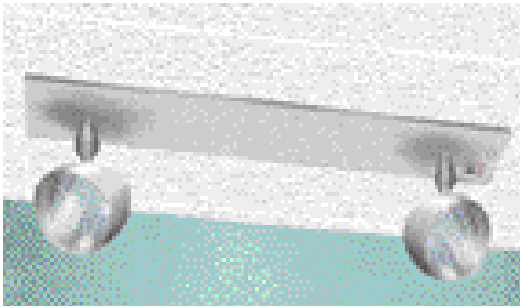


# RAP-15/24 SERIES

## 6 or 12 VOLT RECESSED EMERGENCY LIGHT

*Designed to meet the most demanding architect's specifications for low profile, unobtrusive, yet reliable and maintenance free emergency lighting.*



### SPECIFICATIONS

**CONSTRUCTION:** Housing is fabricated from 20 ga. steel and finished in white polyurethane powder coat. Frame is die-formed aluminum secured to recessed housing with countersunk fasteners.

**LAMP HEADS:** 2 or 3 contemporary styled, adjustable, PAR 36 aluminum heads, furnished with high-intensity tungsten incandescent lamps that illuminate when normal power fails.

**FINISH:** Brushed aluminum standard. White available at no extra charge. Consult factory for other finishes.

**MOUNTING:** Conduit knockouts are supplied on top and ends of housing for easy installation into the ceiling or wall. All units are furnished with mounting brackets for use with bar hangers (supplied by others).

**BATTERY:** Sealed 6 or 12 volt maintenance free lead acid battery operates lamps for a minimum of 90 minutes.

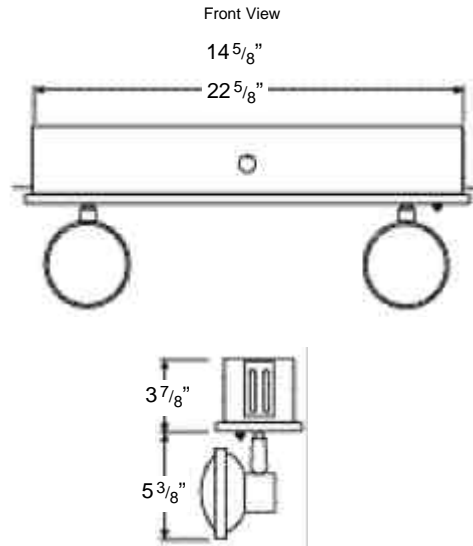
**CHARGING CIRCUITRY:** Solid state charger features automatic brown-out protection and low voltage disconnect. A momentary test switch and charge indicating light are standard.

Dual 120/277 Volt Input.

**LABEL:** U.L., E.T.L., or ENTELA Listed.

**WARRANTY:** See warranty page.

### DIMENSIONS



### BATTERY CAPACITY

Model	DC Volts	1.5 Hrs. Wattage	2 Hrs. Watts	Lamp Head Wattage
RAP-6-27	6	27	24	9-12
RAP-6-36	6	36	27	9-12
RAP-6-54	6	50	37.5	9-18
RAP-12-36	12	36	24	9-18
RAP-12-54	12	54	40	9-18
RAP-12-100	12	100	75	9-25

RAP-15/24 Series

### ORDERING INFORMATION

Example: RAP-15-6-2-100-BA-TP

- |  |  |  |   |   |  |
|--|--|--|---|---|--|
| <input checked="" type="checkbox"/> <b>Series</b>  | <input checked="" type="checkbox"/> <b>Output (DC) Voltage</b> | <input checked="" type="checkbox"/> <b># Heads</b>   | <input checked="" type="checkbox"/> <b>Wattage</b>  | <input checked="" type="checkbox"/> <b>Finish</b>   | <input checked="" type="checkbox"/> <b>Options</b>   |
| <input type="checkbox"/> RAP-15<br>15" long (for<br>Plaster Frame<br>Installation)<br><input type="checkbox"/> RAP-24<br>24" long (for<br>T-bar<br>Installation) | <input type="checkbox"/> 6<br><input type="checkbox"/> 12      | <input type="checkbox"/> 0<br><input type="checkbox"/> 1<br><input type="checkbox"/> 2<br><input type="checkbox"/> 3 | <input type="checkbox"/> 27<br><input type="checkbox"/> 36<br><input type="checkbox"/> 54<br><input type="checkbox"/> 100 | <input type="checkbox"/> BA-<br>Brushed<br>Aluminum*<br><input type="checkbox"/> WH- White<br><input type="checkbox"/> CC-<br>Custom<br>Color or Finish<br>* = Standard | <input type="checkbox"/> CP-Chicago Plenum<br><input type="checkbox"/> WG-Wire Guard<br><input type="checkbox"/> V-Voltmeter<br><input type="checkbox"/> A-Ammeter<br><input type="checkbox"/> TP-Tamper proof<br>screws<br><input type="checkbox"/> SB-Sealed Beam PAR 36<br>lamp <sup>1</sup><br><input type="checkbox"/> SH-Shelf Mounting Kit<br><input type="checkbox"/> H-Halogen lamp <sup>1</sup><br><input type="checkbox"/> RH-Remote Head |

NOTE: Specifications and dimensions subject to change without notice  
<sup>1</sup> See Page 30-Lamp Replacements See page 29 for remotes.



Alpha Enterprises Lighting, Inc.  
 2140 W. Hubbard Street • Chicago, IL 60612  
 Phone: 312-829-6610 • Fax: 312-829-6270  
 www.alpha.ltg.com