

2800 SERIES EM2800 SERIES

EXTRUDED ALUMINUM AC OR AC/EMERGENCY EXIT

The 2800 Series exit sign combines maximum value and reliability with sleek, modern styling for the most demanding architectural applications.



SPECIFICATIONS

CONSTRUCTION: Housing constructed of extruded aluminum. Door frame opens on end for easy access to internal components.

MOUNTING: Universal mounting – ceiling, end, or back; canopy supplied. Pendant kit optional, please specify.

FINISH: Brushed satin aluminum standard; baked polyurethane powder coat finishes are available (please specify).

PANEL: Glass panels (Chicago Code) have red letters on white background. Stencil face panels have removable chevrons. Letters are 6" high with 3/4" stroke. Other color combinations are available to meet local codes.

ELECTRICAL: COLD CATHODE--The T-5 Cold Cathode Lamp Module is a fully self-contained light source with a 3mm cold cathode lamp encased in 2 standard T-5 bi-pin tubes. The module contains an electronic ballast/inverter with solid state battery charging circuitry (when used in AC/Emergency Mode). The cold cathode lamps will illuminate for 50,000 hours, and consume less than 8 watts of power under normal operation.

Incandescent—furnished with two (2) 20T6.5 double contact bayonet base lamps. Power consumption – 40 watts; average lamp life – 2,000 hours.

Fluorescent—wired with 7/9 Watt ballasts and furnished with two (2) compact fluorescent lamps. Power consumption – 21.6 watts; average lamp life – 10,000 hours.

LED—Energy efficient – draws a maximum 4 watts (8 watts in emergency mode) and produces bright, even illumination across the panel face. Red LEDs have 100,000 rated life.

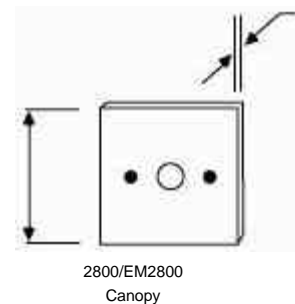
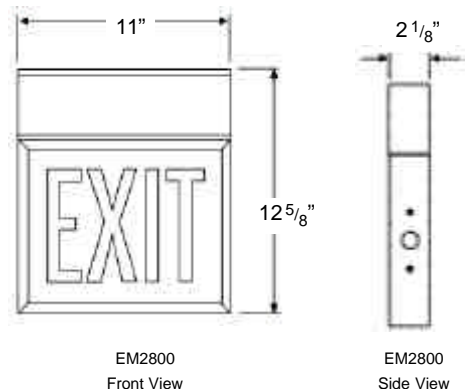
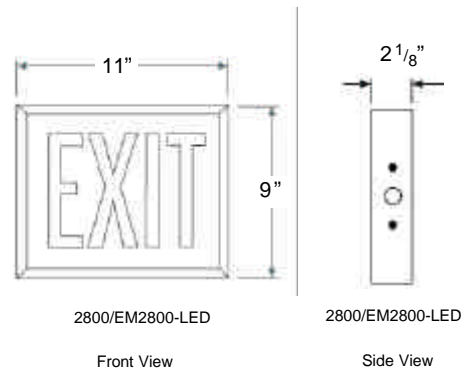
EMERGENCY OPERATION: Emergency system illuminates lamps when normal (AC) power fails. System comes complete with 6V, maintenance free Lead Acid battery (Nickel Metal Hydride battery standard with Cold Cathode signs; Nickel Cadmium battery standard with LED systems) for (2) hour operation. Solid State charger features automatic brownout protection and low voltage disconnect, which prevents over-discharge of battery. A momentary test switch and charge indicating light are standard.

Fluorescent signs are furnished with two 3.6 Watt, 6V DC wedge base lamps which illuminate when AC power fails.

LABELS: U.L., E.T.L. or ENTELA Listed. City of Chicago Approved.

WARRANTY: See Warranty page.

DIMENSIONS



NOTE: Specifications and dimensions subject to change without notice



2800 SERIES EM2800 SERIES

EXTRUDED ALUMINUM AC OR AC/EMERGENCY EXIT

ORDERING INFORMATION

Example: 2800-3-2FL120-BA-PK24



Series

- 2800 AC Only
- CC-2800 Cold Cathode AC Only
- EM2800 AC/Emergency
- CC-EM2800 Cold Cathode AC /Emergency
- EM2800-SM Side Mounted Battery Housing
- EM2800D 4" Deep Housing Self-contained Battery

Panels

- STF-1- Stencil Single Face
- STF-2- Stencil Double Face
- XX-Glass (See Legend for Panel Codes)

Lamping

- 2FL- Fluorescent
- LED/R Red LED
- LED/G Green LED
- INC- Incandescent
- 3T4-(3) 4 Watt T4-Fluorescent Lamps

Voltage

- 120
- 277

Finish

- BA-Brushed Aluminum*
- WH- White
- CC-Custom Color
- *=Standard

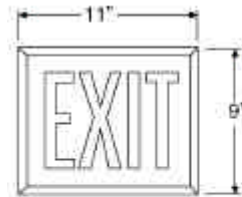
Options

- WG-Wire Guard
- TP-Tamper Proof Screws
- LLI-Long Life Incandescent
- G/W-Green Letters on White
- EXC-(Dual) Emergency Circuit
- NCB-Nickel Cadmium Battery
- FLS-Flasher
- BZ-Buzzer
- FAI-Fire Alarm Interface
- PP-Polycarbonate Panels
- AP-Acrylic Panels
- HO-Housing Only
- MOD-Special Panel Wording or Panel Color
- PK-Pendant Kit (specify stem length)
- IRT-Infrared Remote Test Switch

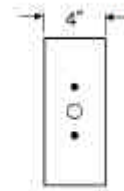
PANEL CODE LEGEND

SINGLE FACE	DOUBLE FACE
<input type="checkbox"/> 2 - Stairs	<input type="checkbox"/> 17 - Stairs
<input type="checkbox"/> 3 - Exit	<input type="checkbox"/> 18 - Exit
<input type="checkbox"/> 5 - Stairs↘	<input type="checkbox"/> 20 - Stairs↘
<input type="checkbox"/> 6 - Exit↘	<input type="checkbox"/> 21 - Exit↘
<input type="checkbox"/> 8 - Stairs↙	<input type="checkbox"/> 23 - Stairs↙
<input type="checkbox"/> 9 - Exit↙	<input type="checkbox"/> 24 - Exit↙
<input type="checkbox"/> 11 - Stairs↔	
<input type="checkbox"/> 12 - Exit↔	

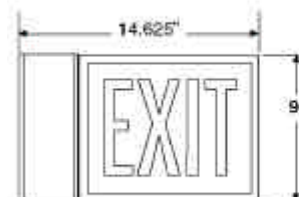
2800 Series



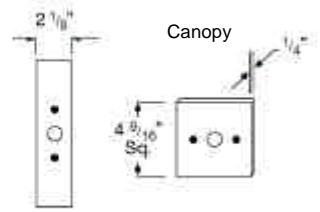
EM2800-D FRONT VIEW



EM2800-D SIDE VIEW



EM2800-SM FRONT VIEW



EM2800-SM SIDE VIEW

NOTE: Specifications and dimensions subject to change without notice



Alpha Enterprises Lighting, Inc.
2140 W. Hubbard Street • Chicago, IL 60612
Phone: 312-829-6610 • Fax: 312-829-6270
www.alphaatl.com